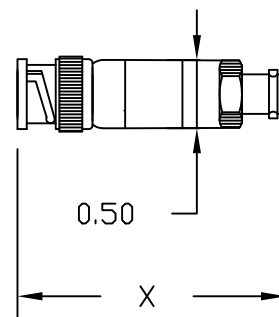
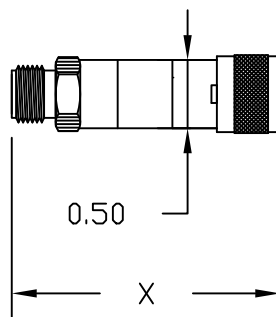
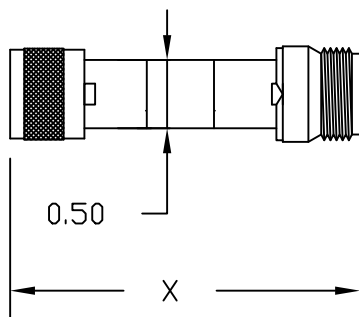
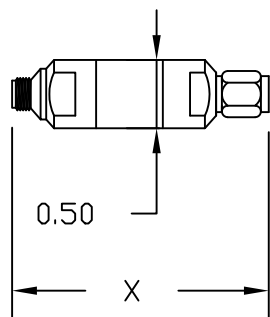


SMA

N-TYPE

TNC

BNC



CONNECTOR	1dB-10dB	20dB	30dB-40dB
SMA	1.63	1.87	2.13
N TYPE	2.54	2.78	3.04
TNC	1.95	2.19	2.45
BNC	1.95	2.19	2.45

MATERIAL: .

SCALE: NTS

REV	BY	DATE	DESCRIPTION
-----	----	------	-------------

RF Depot.com Inc.

TOLERANCE  
X.XX=±  
X.XXX=±  
ANGLE=±2°

DWN 11-06-08  
F.G.

DES

APP

CHK

NEXT ASSEMBLY

CODE IDENT: 9V554 FSCM 64998

FIXED ATTENUATOR  
PADS

A , RFD LFP-XX



Your RF & Microwave Supermarket  
10101 E. Bacon Drive, Beltsville, MD 20705

Web Site: rfdepot.com  
E-mail: rfdepot@rfdepot.com  
(877) 733-3768 (877-RF Depot)