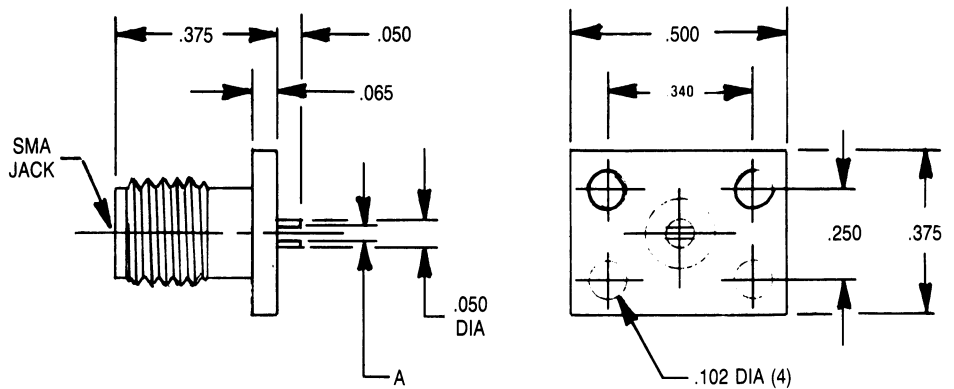


SMA PANEL MOUNT JACKS

SLOT TERMINAL FOUR HOLE STRAIGHT FLANGE MOUNT JACK

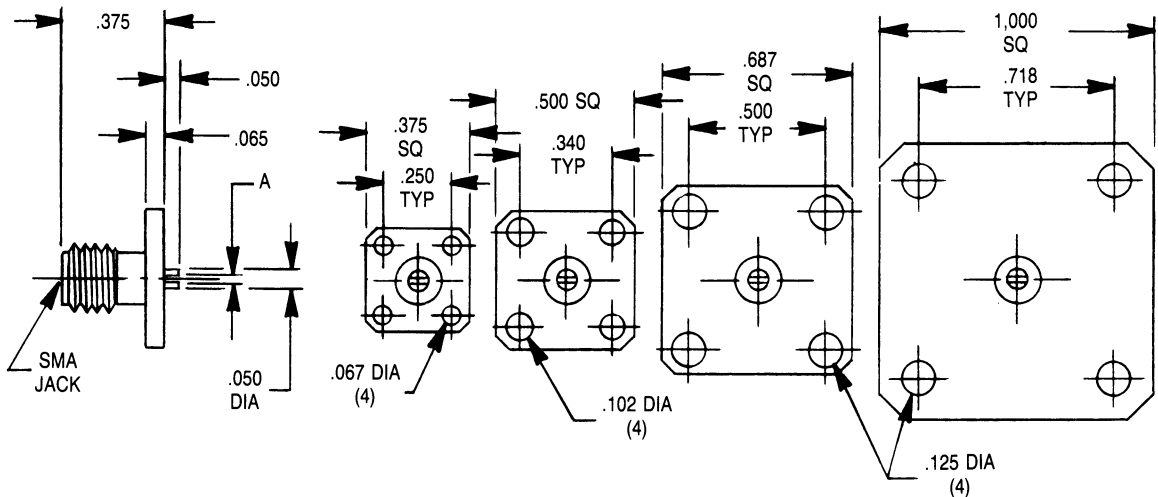
PART #	DIM. A
2951-6093	.012
2951-6094	.018
2951-6095	.028
2951-6096	.036
2951-6097	.012
2951-6098	.018
2951-6099	.028
2951-6100	.036



CAPTIVE CONTACT * SEE SECTION R-1

FOUR HOLE STRAIGHT FLANGE MOUNT JACK

CAPTIVE CONTACT			NON CAPTIVE CONTACT			CAPTIVE CONTACT			NON CAPTIVE CONTACT		
PART #	FLANGE SIZE	DIM. A	PART #	FLANGE SIZE	DIM. A	PART #	FLANGE SIZE	DIM. A	PART #	FLANGE SIZE	DIM. A
2950-6282	.375	.012	2950-6287	.375	.012	2950-6930	.687	.012	2950-6091	.687	.012
2950-6283	.375	.018	2950-6288	.375	.018	2950-6221	.687	.018	2950-6093	.687	.018
2950-6285	.375	.028	2950-6289	.375	.028	2950-6034	.687	.028	2950-6094	.687	.028
2950-6286	.375	.036	2950-6291	.375	.036	2950-6095	.687	.036	2950-6096	.687	.036
2950-6219	.500	.012	2950-6064	.500	.012	2950-6901	1.000	.012	2950-6193	1.000	.012
2950-6198	.500	.018	2950-6067	.500	.018	2950-6092	1.000	.018	2950-6194	1.000	.018
2950-6182	.500	.028	2950-6041	.500	.028	2950-6036	1.000	.028	2950-6195	1.000	.028
2950-6068	.500	.036	2950-6070	.500	.036	2950-6197	1.000	.036	2950-6217	1.000	.036



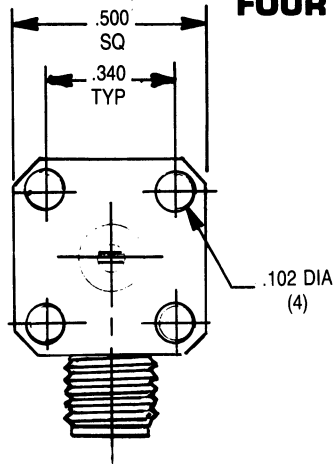
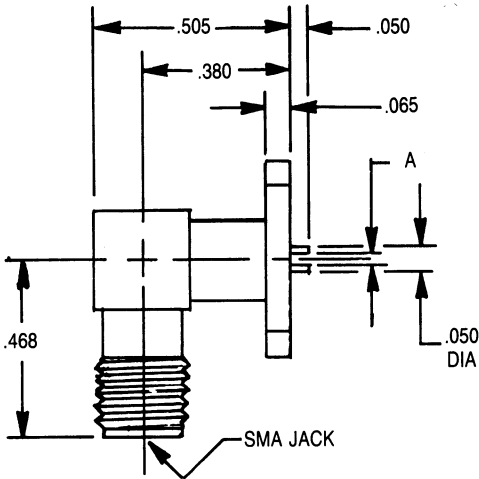
CAPTIVE CONTACT * SEE SECTION R-1

NOTE: ADD "SF" AS PREFIX TO PART NUMBER FOR STAINLESS FINISH VERSIONS.

PANEL MOUNT JACKS SMA

SLOT TERMINAL — DC 12.4 GHz

FOUR HOLE CUBED RIGHT ANGLE FLANGE MOUNT JACK



HORIZONTAL SLOT

PART #	DIM. A
2960-6253	.012
2960-6254	.018
2960-6255	.028
2960-6256	.036

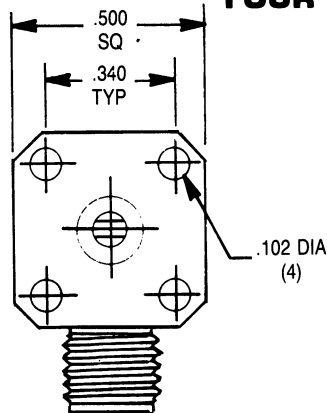
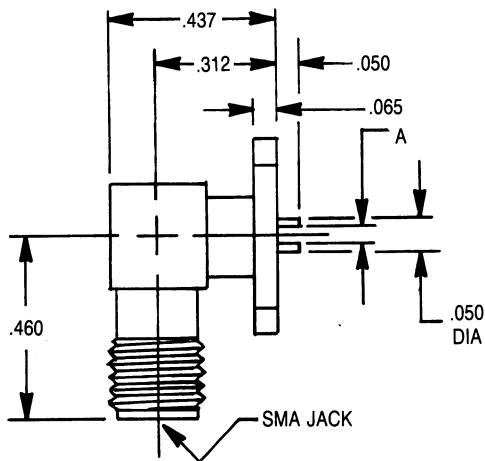
VERTICAL SLOT

PART #	DIM. A
2960-6257	.012
2960-6258	.018
2960-6259	.028
2960-6260	.036

CAPTIVE CONTACTS ▲ ●

DC-18 GHz

FOUR HOLE CUBED RIGHT ANGLE FLANGE MOUNT JACK



HORIZONTAL SLOT

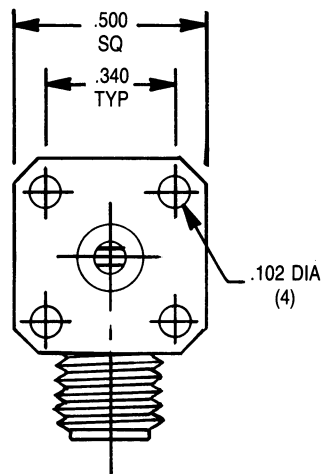
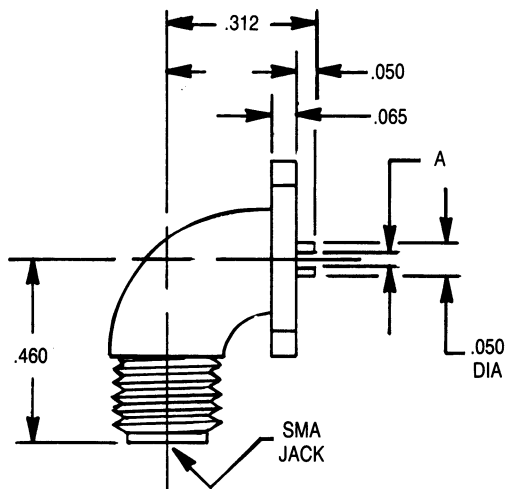
PART #	DIM. A
2960-6653	.012
2960-6654	.018
2960-6655	.028
2960-6656	.036

VERTICAL SLOT

PART #	DIM. A
2960-6657	.012
2960-6658	.018
2960-6659	.028
2960-6660	.036

DC-18 GHz

FOUR HOLE RADIUS RIGHT ANGLE FLANGE MOUNT JACK



HORIZONTAL SLOT

PART #	DIM. A
2960-6287	.012
2960-6288	.018
2960-6289	.028
2960-6290	.036

VERTICAL SLOT

PART #	DIM. A
2960-6291	.012
2960-6292	.018
2960-6293	.028
2960-6294	.036

CAPTIVE CONTACT ■

NOTE: ADD "SF" AS PREFIX TO PART NUMBER FOR STAINLESS FINISH VERSION.

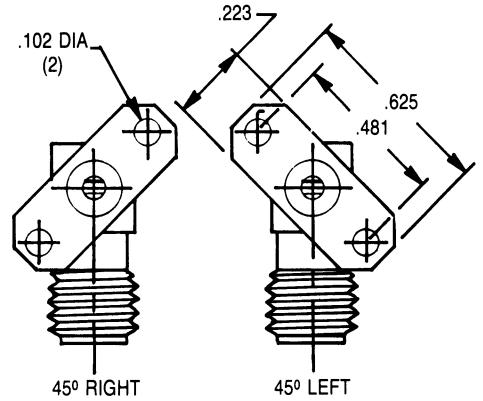
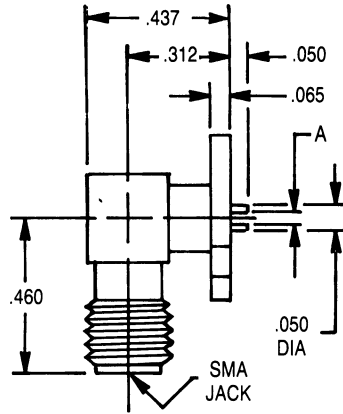
SMA PANEL MOUNT JACKS

SLOT TERMINAL — DC-18 GHz

TWO HOLE CUBED RIGHT ANGLE 45° FLANGE MOUNT JACK

LEFT 45° HORIZONTAL		RIGHT 45° HORIZONTAL	
PART #	DIM. A	PART #	DIM. A
2960-6681	.012	2960-6686	.012
2960-6682	.018	2960-6687	.018
2960-6683	.028	2960-6689	.028
2960-6684	.036	2960-6690	.036

LEFT 45° VERTICAL		RIGHT 45° VERTICAL	
PART #	DIM. A	PART #	DIM. A
2960-6704	.012	2960-6708	.012
2960-6705	.018	2960-6709	.018
2960-6706	.028	2960-6710	.028
2960-6707	.036	2960-6711	.036

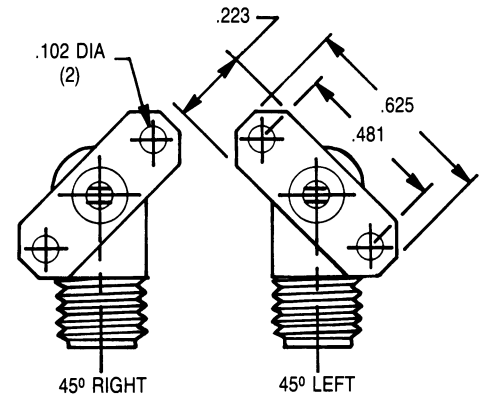
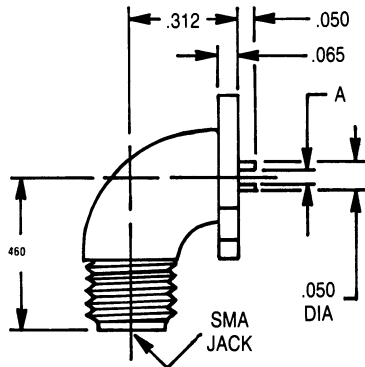


DC-18 GHz

TWO HOLE RADIUS RIGHT ANGLE 45° FLANGE MOUNT JACK

LEFT 45° HORIZONTAL		RIGHT 45° HORIZONTAL	
PART #	DIM. A	PART #	DIM. A
2960-6311	.012	2960-6315	.012
2960-6312	.018	2960-6316	.018
2960-6313	.028	2960-6317	.028
2960-6314	.036	2960-6318	.036

LEFT 45° VERTICAL		RIGHT 45° VERTICAL	
PART #	DIM. A	PART #	DIM. A
2960-6319	.012	2960-6323	.012
2960-6320	.018	2960-6324	.018
2960-6321	.028	2960-6325	.028
2960-6322	.036	2960-6326	.036

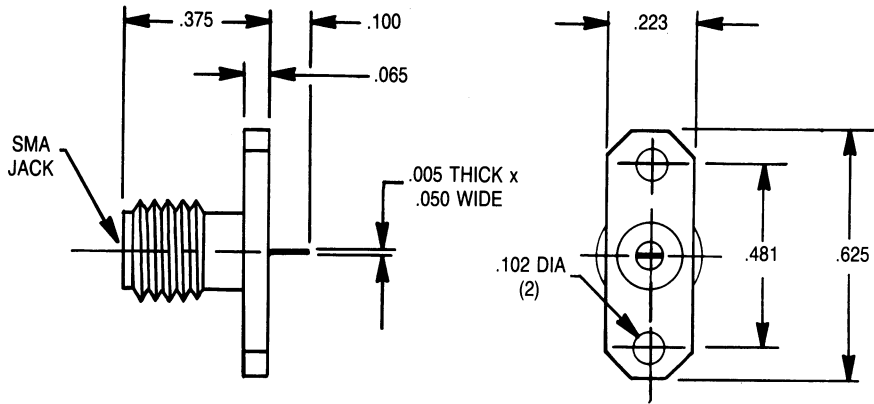


CAPTIVE CONTACT ■

NOTE: ADD "SF" AS PREFIX TO PART NUMBER FOR STAINLESS FINISH VERSION.

PANEL MOUNT JACKS SMA

TAB TERMINAL TWO HOLE STRAIGHT FLANGE MOUNT JACK



CAPTIVE CONTACT*
HORIZONTAL TAB

PART #	2950-6043
---------------	-----------

VERTICAL TAB

PART #	2950-6611
---------------	-----------

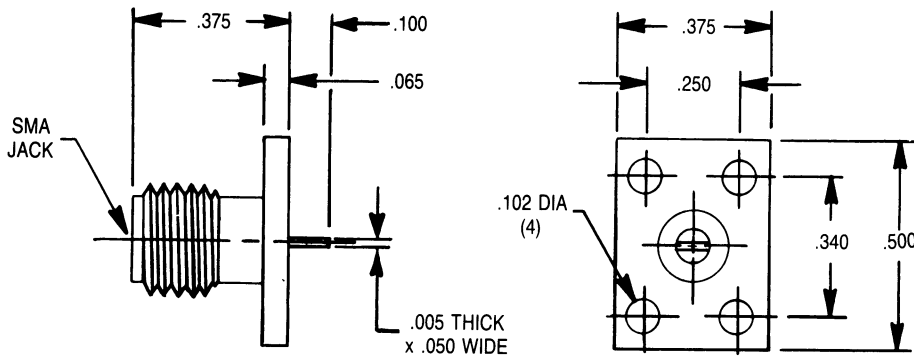
NON CAPTIVE CONTACT
HORIZONTAL TAB

PART #	2950-6042
---------------	-----------

VERTICAL TAB

PART #	2950-6609
---------------	-----------

FOUR HOLE STRAIGHT FLANGE MOUNT JACK



CAPTIVE CONTACT*
HORIZONTAL TAB

PART #	2950-6808
---------------	-----------

VERTICAL TAB

PART #	2950-6521
---------------	-----------

NON CAPTIVE CONTACT
HORIZONTAL TAB

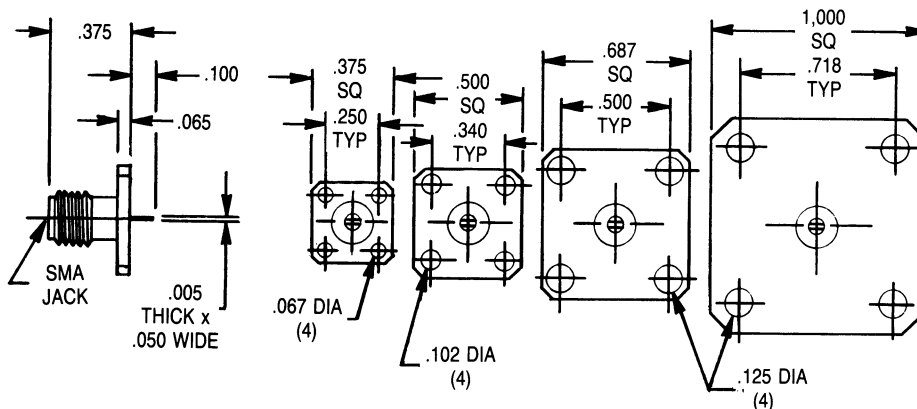
PART #	2950-6586
---------------	-----------

VERTICAL TAB

PART #	2950-6597
---------------	-----------

CAPTIVE CONTACT *

FOUR HOLE STRAIGHT FLANGE MOUNT JACK



CAPTIVE CONTACT*

PART #	FLANGE SIZE
2950-6483	.375
2950-6045	.500
2950-6394	.687
2950-6395	1.000

NON CAPTIVE CONTACT

2950-6416	.375
2950-6044	.500
2950-6430	.687
2950-6487	1.000

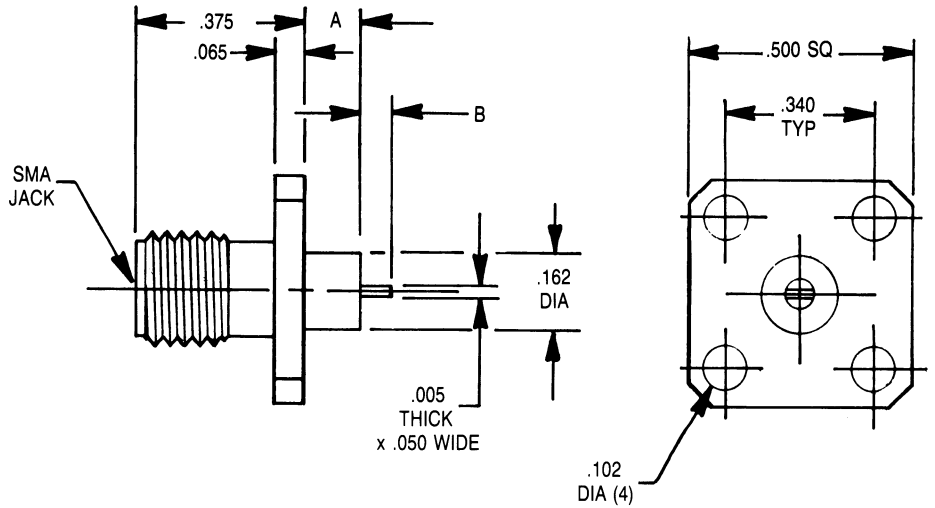
CAPTIVE CONTACT *

NOTE: ADD "SF" AS PREFIX TO PART NUMBER FOR STAINLESS FINISH VERSION.

SMA PANEL MOUNT JACKS

TAB TERMINAL FOUR HOLE STRAIGHT FLANGE MOUNT JACK

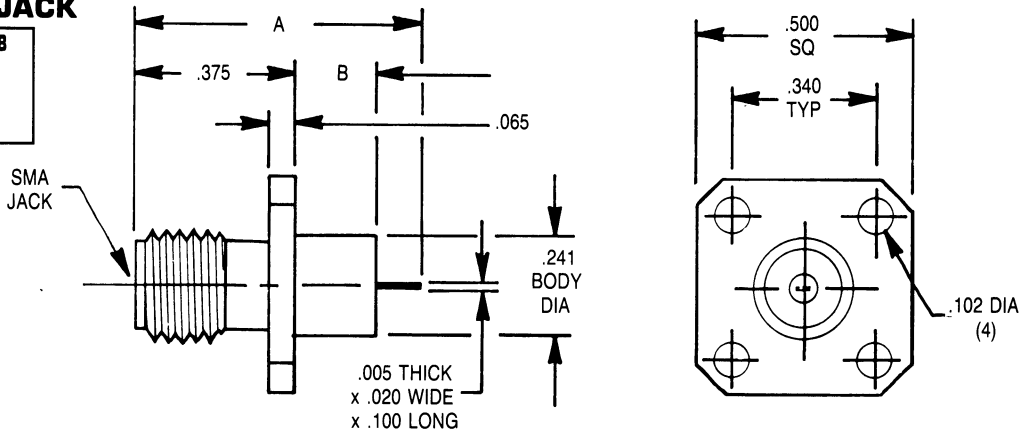
PART #	DIM. A	DIM. B
2951-6113	.062	.050
2950-6334	.062	.100
2950-6348	.125	.050
2950-6144	.125	.100



CAPTIVE CONTACT ★

FOUR HOLE STRAIGHT FLANGE MOUNT JACK

PART #	DIM. A	DIM. B
2950-6474	.568	.093
2950-6473	.600	.125
2950-6472	.662	.187



CAPTIVE CONTACT ★

DC-18 GHz FOUR HOLE CUBED RIGHT ANGLE FLANGE MOUNT JACK

HORIZONTAL

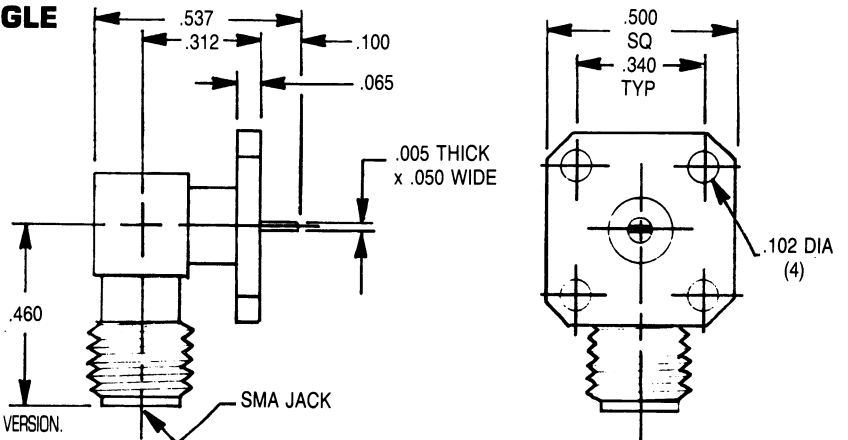
PART #

2960-6611

VERTICAL

PART #

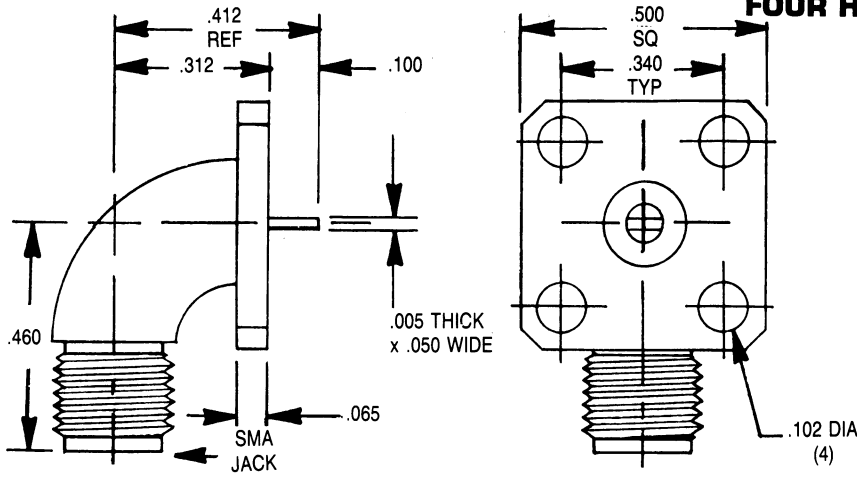
2960-6609



NOTE: ADD "SF" AS PREFIX TO PART NUMBER FOR STAINLESS FINISH VERSION.

PANEL MOUNT JACKS SMA

TAB TERMINAL — DC-18 GHz FOUR HOLE RADIUS RIGHT ANGLE FLANGE MOUNT JACK

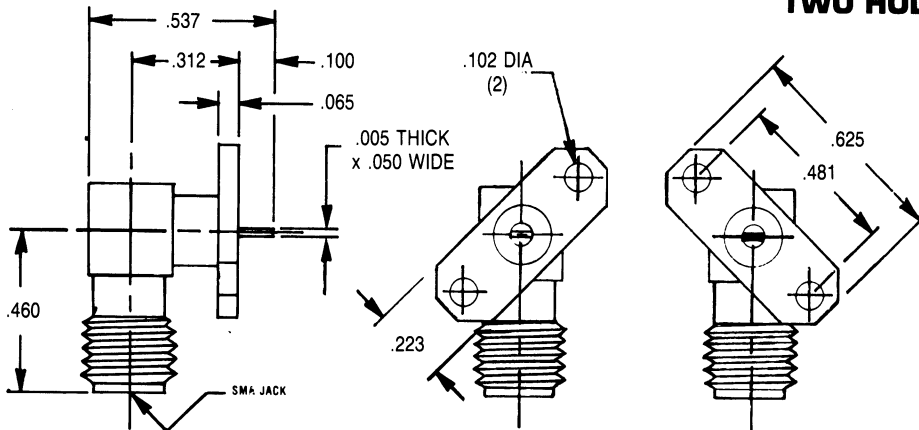


HORIZONTAL	
PART #	2960-6328
VERTICAL	
PART #	2960-6211

CAPTIVE CONTACT ■

DC-18 GHz

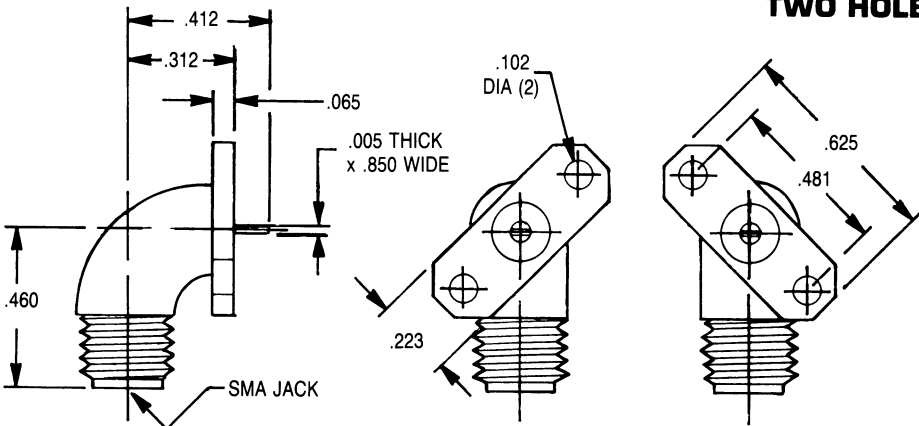
TWO HOLE CUBED RIGHT ANGLE FLANGE MOUNT JACK



LEFT	
45° HORIZONTAL TAB	
PART #	2960-6712
45° VERTICAL TAB	
PART #	2960-6713
RIGHT	
45° VERTICAL TAB	
PART #	2960-6714
45° HORIZONTAL TAB	
PART #	2960-6715

DC-18 GHz

TWO HOLE RADIUS RIGHT ANGLE FLANGE MOUNT JACK



LEFT	
45° HORIZONTAL TAB	
PART #	2960-6330
45° VERTICAL TAB	
PART #	2960-6332
RIGHT	
45° VERTICAL TAB	
PART #	2960-6331
45° HORIZONTAL TAB	
PART #	2960-6329

CAPTIVE CONTACT ■

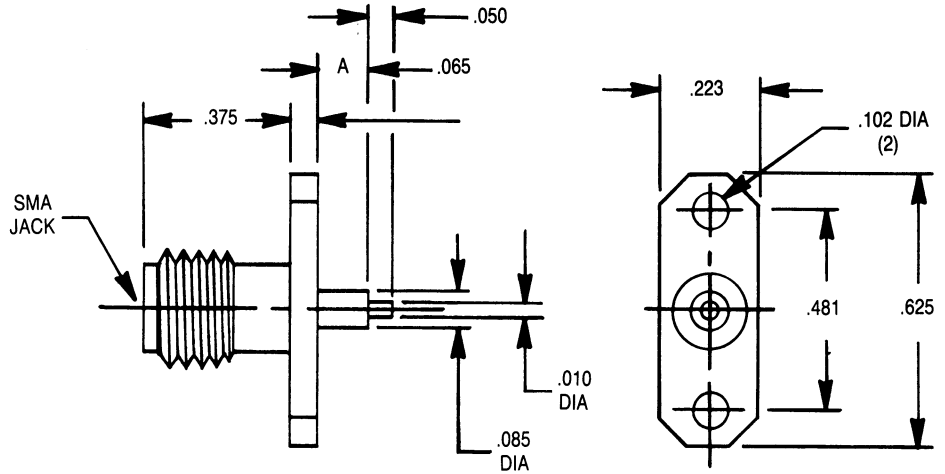
NOTE: ADD "SF" AS PREFIX TO PART NUMBER FOR STAINLESS FINISH VERSION.

SMA PANEL MOUNT JACKS

MICROSTRIP TERMINAL

TWO HOLE STRAIGHT FLANGE MOUNT JACK

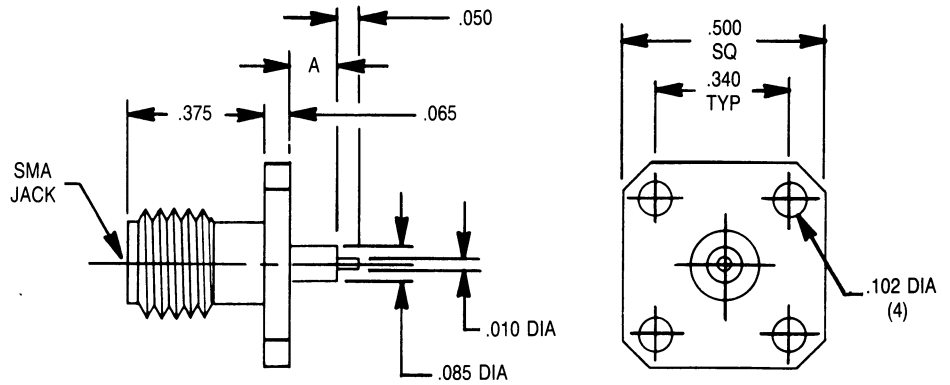
PART #	DIM. A
2950-6337	.057
2950-6336	.125



CAPTIVE CONTACT ★

FOUR HOLE STRAIGHT FLANGE MOUNT JACK

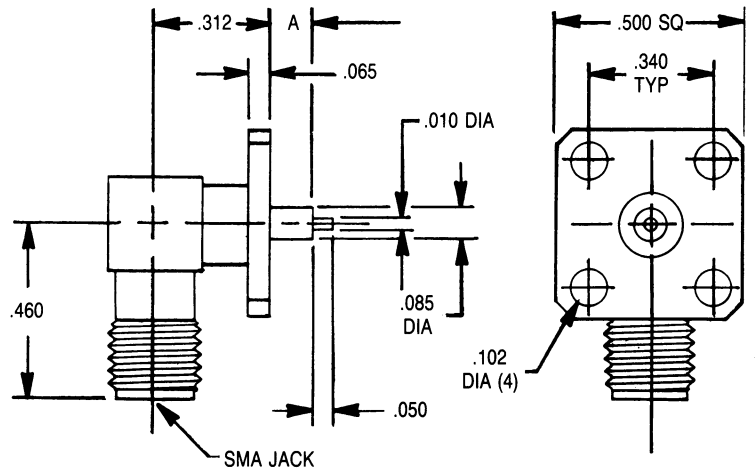
PART #	DIM. A
2950-6136	.057
2950-6135	.125



CAPTIVE CONTACT ★

FOUR HOLE CUBED RIGHT ANGLE FLANGE MOUNT JACK

PART #	DIM. A
2960-6632	.057
2960-6631	.125



NOTE: ADD "SF" AS PREFIX TO PART NUMBER FOR STAINLESS FINISH VERSION.