

PTNC SERIES

Solitron / Microwave has developed a Precision TNC series which offers the user superior electrical characteristics.

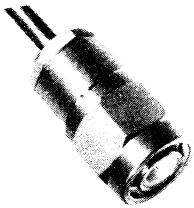
Typical VSWR on PTNC series versus TNC series:

	Frequency	PTNC	TNC
Straight Plugs & Jacks	500-12,400 MHz	1.15 Max.	1.30 Max.
Right Angle Plugs & Jacks	500- 9,000 MHz	1.25 Max.	1.40 Max.
	9,000-12,400 MHz	1.25 Max.	1.60 Max.

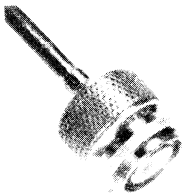
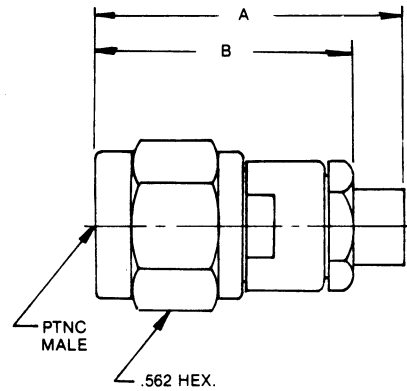
The PTNC series are constructed in brass nickel plated or stainless steel passivated.

The PTNC series meets or exceeds all parameters of Mil-C-39012 TNC connectors and will mate with any TNC connector designed to this military specification. – For individual Part Number specification request engineering data drawing from Sales Department.

PTNC Cable Plugs Brass-Nickel Plated

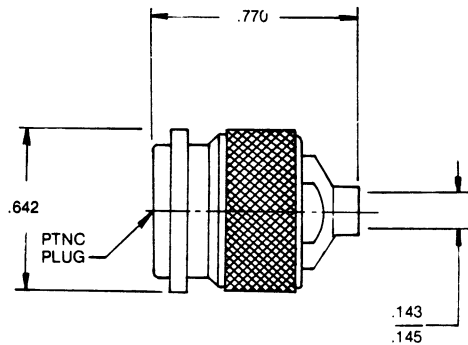


Part No.	A	B	Cable
4501-0001	—	1.006	.141 Semi-rigid**
*4501-0002	—	1.006	
4502-0001	1.202	1.006	.215 Semi-rigid**
4503-0001	1.202	1.006	.250 Semi-rigid**
4504-0001	—	1.077	.325 Semi-rigid**
4505-0001	—	1.065	RG 55, 142, 303
*4505-0002	—	1.065	Clamp Type



PTNC Plug Direct Solder .141 Semi-Rigid Cable

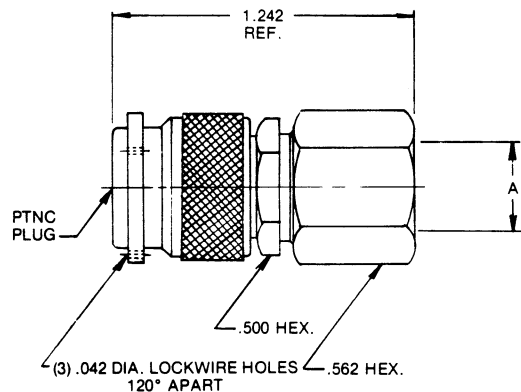
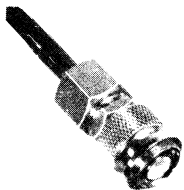
4501-0004 Brass-Gold Plated
SF4501-6004 Stainless Steel
Gold Plated



PTNC Plug Clamp Type Semi-rigid Cable

Passivated Stainless Steel

Part No.	A	Cable
SF4504-6010	.257	.250-3Spline
SF4504-6011	.257	.250 Solid
SF4508-6003	.332	.325-5 Spline
SF4508-6005	.332	.325 Solid



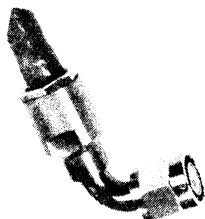
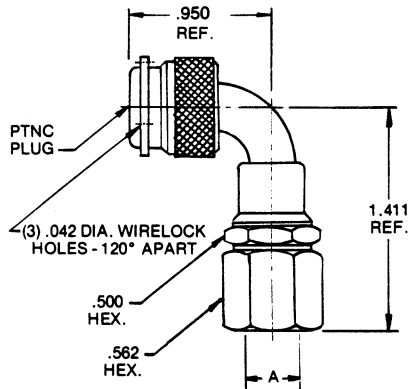
PTNC SERIES



**PTNC Right Angle Plug
Clamp Type
Semi-rigid Cable**

Passivated Stainless Steel

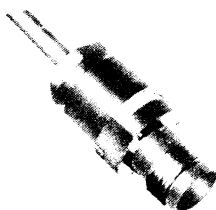
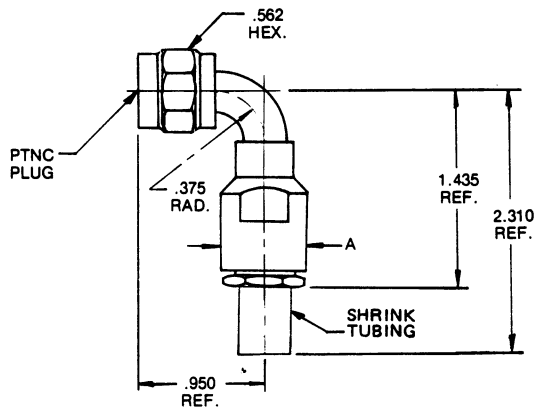
Part No.	A	Cable
SF4513-6010	.257	.250-3 Spline
SF4513-6011	.257	.250 Solid
SF4514-6010	.332	.325-5 Spline
SF4514-6011	.332	.325 Solid



**PTNC Right Angle
Crimp/Clamp**

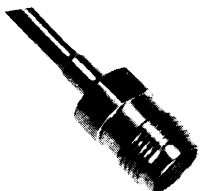
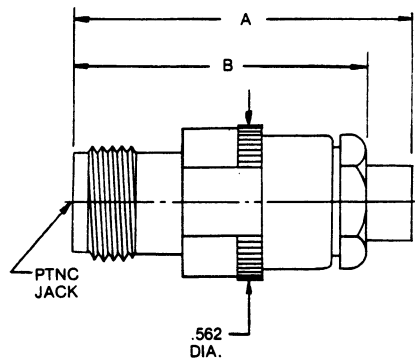
Passivated

Part No.	A	Cable
SF4511-6001	.650	RG 55, 142, 223
SF4512-6001	.650	RG 304
SF4514-6012	.750	RG393



**PTNC Cable Jacks
Brass-Nickel Plated**

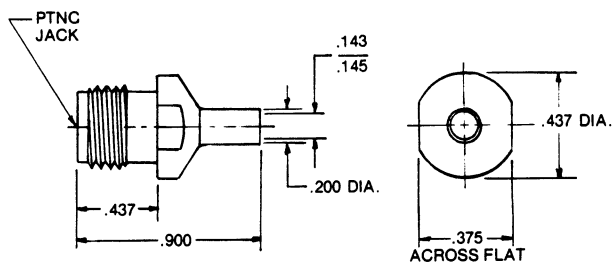
Part No.	A	B	Cable
4521-0001	—	1.127	.141 Semi-rigid*
*4521-0002	—	1.127	
4522-0001	1.323	1.127	.215 Semi-rigid*
4523-0001	1.323	1.127	.250 Semi-rigid**
4524-0001	—	1.231	.325 Semi-rigid**
4525-0001	—	1.167	RG 55, 142, 303
*4525-0002	—	1.167	Clamp Type



**PTNC Jack
Direct Solder
.141 Semi-Rigid Cable**

Brass-Gold Plated

4533-0002

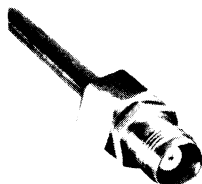
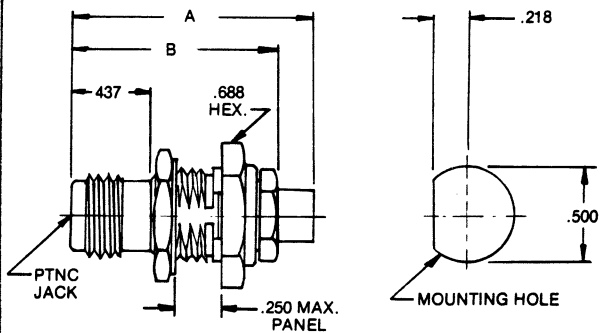


PTNC SERIES



PTNC Bulkhead Cable Jacks
Brass-Nickel Plated

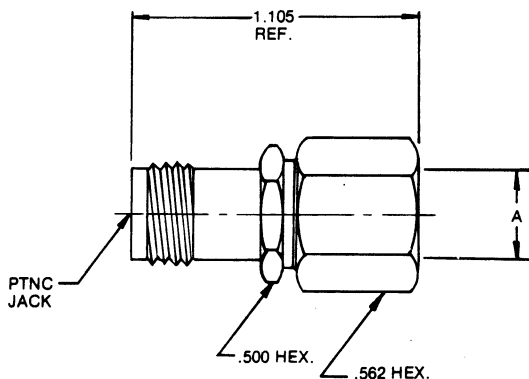
Part No.	A	B	Cable
4541-0001	—	1.127	.141 Semi-rigid**
*4541-0002	—	1.127	
4542-0001	1.323	1.127	.215 Semi-rigid**
4543-0001	1.323	1.127	.250 Semi-rigid**
4544-0001	—	1.231	.325 Semi-rigid**
4545-0001	—	1.167	RG 55, 142, 303
*4545-0002	—	1.167	Clamp Type



PTNC Jack
Clamp Type
Semi-rigid Cable

Passivated Stainless Steel

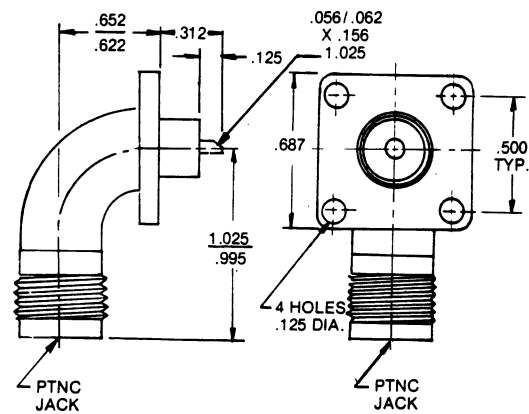
Part No.	A	Cable
SF4523-6003	.257	.250-3 Spline
SF4523-6010	.257	.250 Solid
SF4524-6003	.332	.325-5 Spline
SF4524-6010	.332	.325 Solid



PTNC
Right Angle
Flange Mount

Stainless Steel

SF4583-6002



PTNC Right Angle
Adapter
Plug/Jack

Stainless Steel

SF4597-6002

