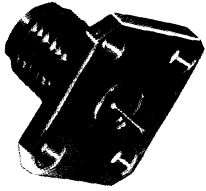
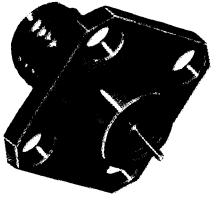
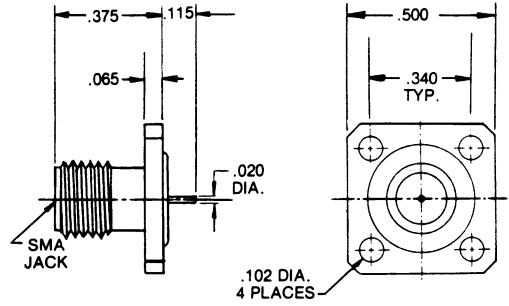


HERMETIC SEAL CONNECTORS



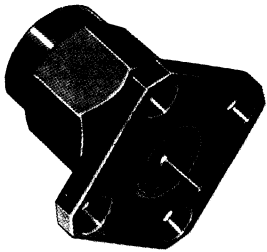
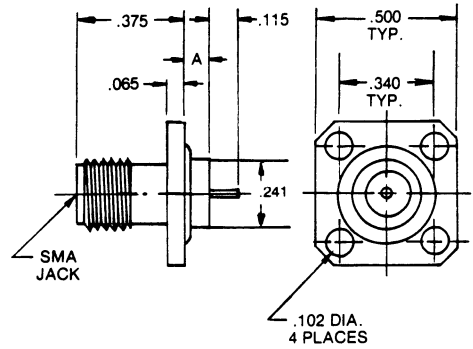
**Hermetically Sealed
Flange Mount Jack
with Gasket**

2950-6106



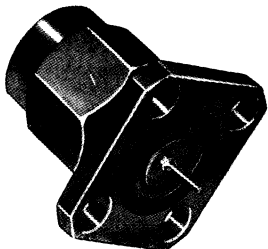
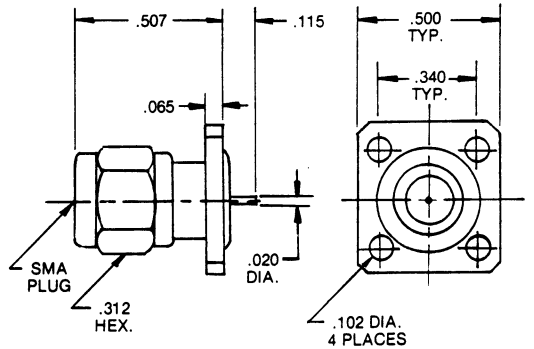
**Hermetically Sealed
Flange Mount Jack
with Gasket**

Part No.	A
2950-6131	.093
2950-6132	.125
2950-6133	.187
2950-6134	.250



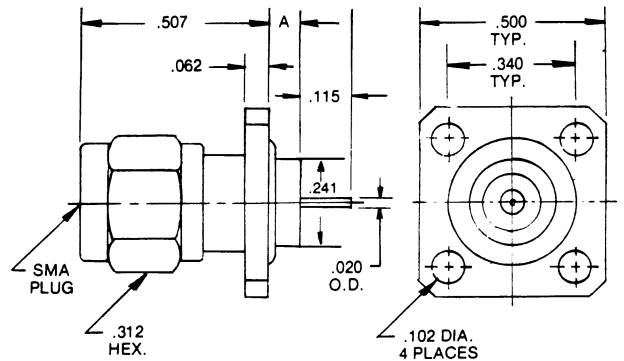
**Hermetically Sealed
Flange Mount Plug
with Gasket**

2955-6017

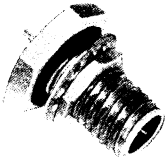


**Hermetically Sealed
Flange Mount Plug
with Gasket Plug**

Part No.	A
2955-6018	.093
2955-6019	.125
2955-6020	.187

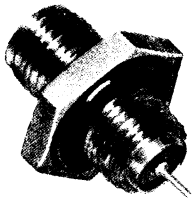
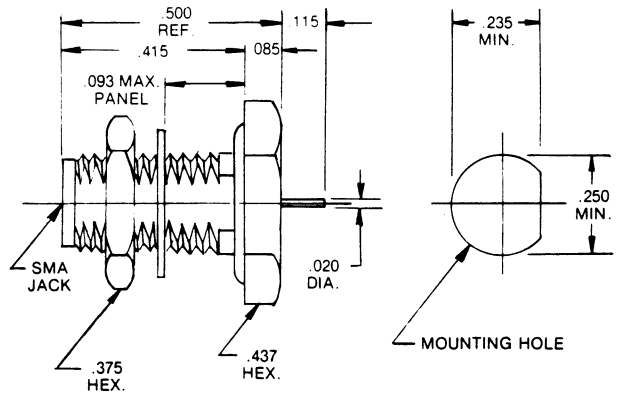


HERMETIC SEAL CONNECTORS



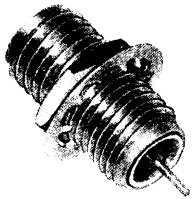
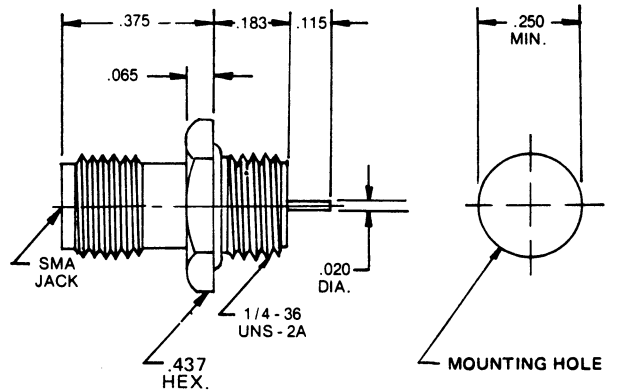
Hermetically Sealed Jack Bulkhead with Gasket

2971-6007



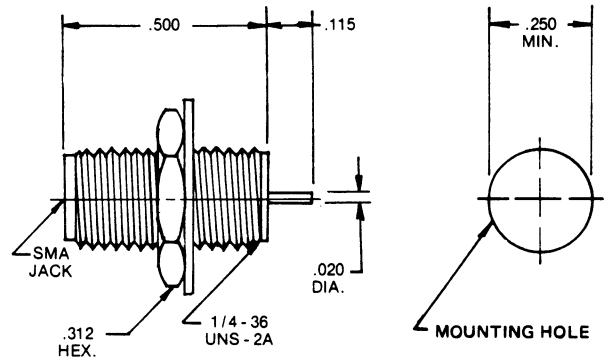
Hermetically Sealed Jack Bulkhead with Gasket

2971-6008



Hermetically Sealed Jack Bulkhead

2975-6025



Hermetically Sealed Compression (Knife Edge) Bulkhead Feedthrough Jack

2975-6200	Fixed Contact
2975-6300	Slide Contact without Dielectric

