

SMA CABLE JACKS

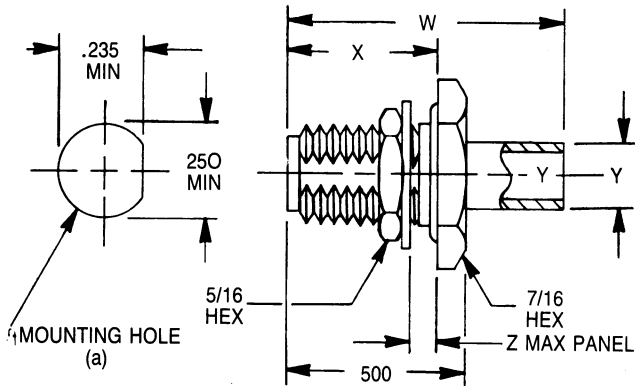


FIG. A

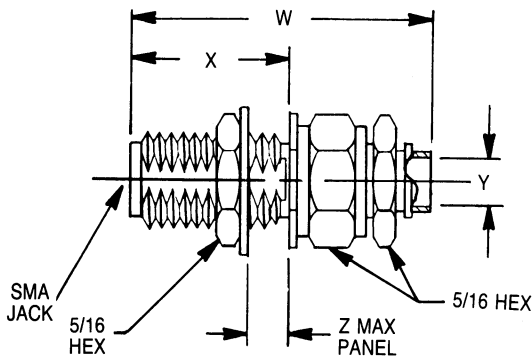


FIG. B

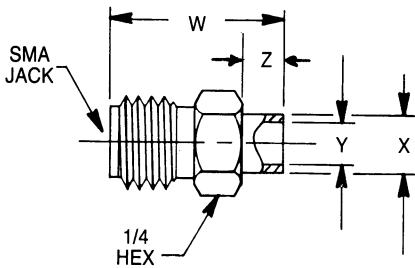


FIG. C

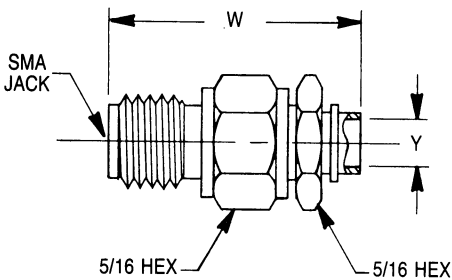


FIG. D

Cable Type	Part Number	Fig.	Dimensions (inches)			
			W	X	Y	Z
DIRECT SOLDER STRAIGHT CABLE JACK						
RG 402(1.41)	S/M 2922-6001	C	.625	.250	.144	0
RG 402(.141)	S/M 2922-6007	C	.500	.180	.144	.125
RG 405(.085)	S/M 2921-6002	C	.500		.088	
SOLDER CLAMP STRAIGHT CABLE JACK						
RG 402(.141)	S/M 2922-6006	D	.687		.144	
RG 405(.085)	S/M 2922-6045	D	.687		.088	
DIRECT SOLDER BULKHEAD MOUNT						
RG 402(.141)	S/M 2942-6001	A	.625	.455	.144	.125
RG 402†(.141)	S/M 2942-6034†	A	.750	.415	.144	.093
RG 402(.141)	S/M 2942-6045	A	.750	.415	.144	.093
RG 405(.085)	S/M 2946-6001	A	.625	.455	.088	.125
RG 402(.141)	S/M 2942-6004	A	.750	.415	.144	.093
RG 405†(.085)	S/M 2946-6045†	A	.750	.415	.088	.093
RG 405(.085)	S/M 2946-6012	A	.750	.415	.088	.093
SOLDER CLAMP BULKHEAD MOUNT						
RG 402(.141)	S/M 2972-6073	B	.843	.450	.144	.125
RG 405(.085)	S/M 2946-6009	B	.843	.450	.088	.125

† Captive Contact

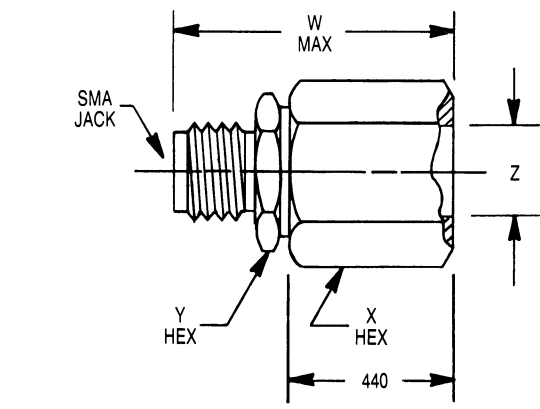
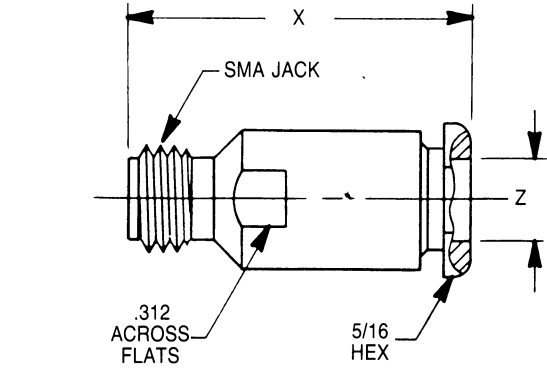
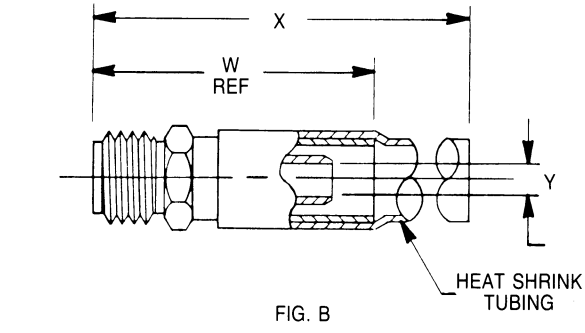
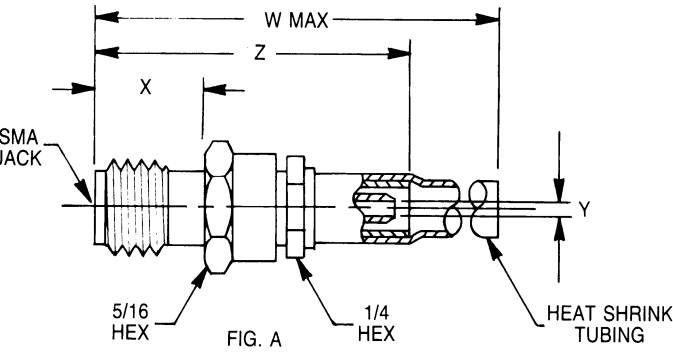
ADD SUFFIX SF TO PART NUMBER FOR STAINLESS FINISH VERSION

MIL-C-39012/NOT equal to listed commercial parts

Category	Contact Type	RG 402/U	RG 405/U	Dimensions (inches)		
				Fig.	W	X
B	Loose	/81-3002	/81-3001	C	.850	
B	Loose	/81-B3002	/81-B3001	C	.850	
B	Captive	/81-3004	/81-3003	C	.850	
B	Captive	/81-B3004	/81-B3003	C	.850	
E	Loose	/81-3006	/81-3005	C	.850	
E	Captive	/81-3008	/81-3007	C	.850	
E	Captive	/81-B3008	/81-B3007	C	.850	

SMA

STRAIGHT CABLE JACKS (Con't)



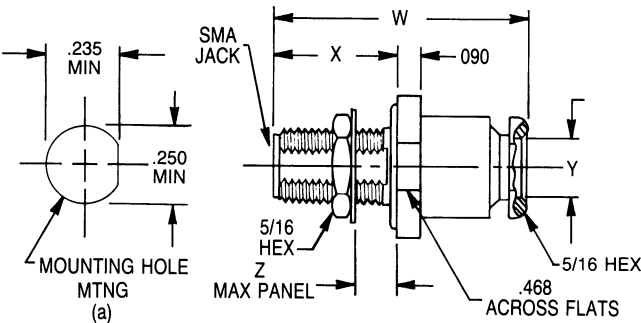
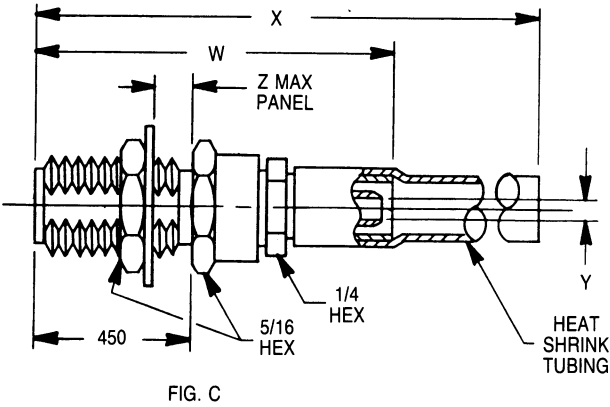
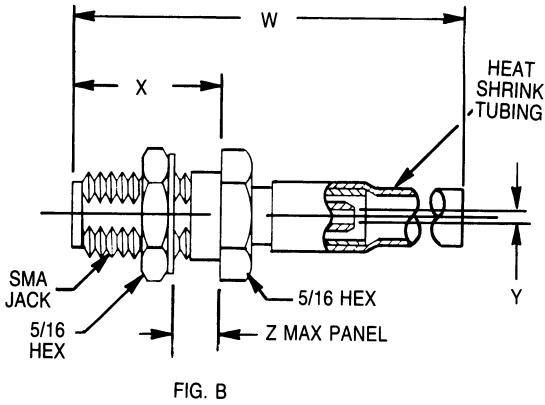
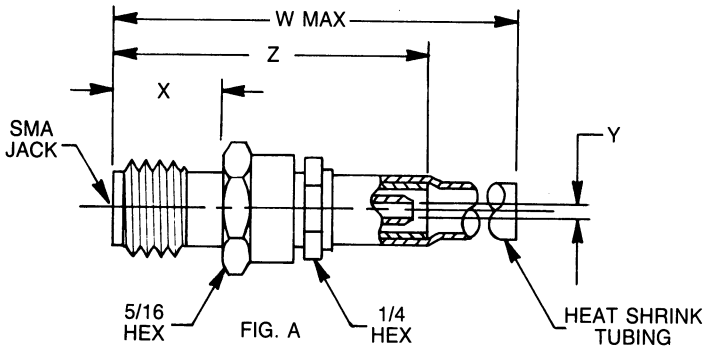
RG Cable type	Part number	FIG.	Dimensions (Inches)			
			W	X	Y	Z
STRAIGHT JACK DIRECT CLAMP ATTACHMENT						
RG 55/58/141/142/U	S/M 2920-6004	C		.700		.220
RG 223/303/400/U	S/M 2920-6004	C		.700		.220
174/188/316/U	S/M 2923-6021	C		.700		.116
180/195/U	S/M 2924-6002	C		.700		.160
STRAIGHT JACK COMPRESSION CLAMP ATTACHMENT						
0.250 Solid	S/M 2928-6006	D	.750	.437	.375	.257
0.250 3-Spline	S/M 2928-6013	D	.750	.437	.375	.257
0.250 5-Spline	S/M 2928-6012	D	.750	.437	.375	.257
STRAIGHT JACK DIRECT CRIMP CAPTIVE CONTACT						
RG 178/196/U†	S/M 2921-6904	B	.74		.039	
RG 178/196 DBR†	S/M 2921-6905	B	.74		.039	
RG 188/316/U†	S/M 2921-6903	B	.74		.069	
RG 188/316 DBR†	S/M 2921-6901	B	.74		.069	
RG 55/142/400/U†	S/M 2921-6906	B	.74		.124	
STRAIGHT JACK CRIMP CLAMP ATTACHMENT						
RG 55/142/223/400/U†	S/M 2921-6003	A	1.44	.320	.124	.900
RG 58/141/303/U†	S/M 2921-6004	A	1.44	.320	.124	.900
RG 174/188/316/U†	S/M 2921-6005	A	1.44	.320	.069	.900
RG 180/195/U†	S/M 2921-6006	A	1.44	.320	.108	.900
RG 178/196/U†	S/M 2921-6007	A	1.44	.320	.039	.900

† CAPTIVE CONTACT
ADD SUFFIX SF TO PART NUMBER FOR STAINLESS FINISH VERSION

MIL-C-39012/ STRAIGHT CABLE JACKS
NOTE: equal to listed commercial parts

Cable Type	Captive Contact Cat A Clamp	Loose Contact Cat B Crimp	Captive Contact Cat B Crimp	Captive Contact Cat C Crimp	Maximum Length (Inches)	
					Cat A	Others
RG-58/U	/57-3009	/57-3014	/57-3021	/57-3029	.960	1.265
RG-122/U	/57-3008	/57-3013	/57-3020	/57-3027	.960	1.265
RG-142/U	/57-3009	/57-3015	/57-3022	/57-3028	.960	1.265
RG-178/U	/57-3006	/59-3011	/57-3018	/57-3025	.960	1.265
RG-174/316/U	/57-3007	/57-3012	/57-3019	/57-3026	.960	1.265
RG-223/U	/57-3009	/57-3016	/57-3023	/57-3028	.960	1.265
RG-303/U	/57-3010	/57-3017	/57-3024	/57-3029	.960	1.265

SMA CABLE JACKS (Con't)



Cable Type	Part Number	Fig.	Dimensions (inches)			
			W	X	Y	Z
STRAIGHT JACK SOLDER CRIMP ATTACHMENT						
RG 55/58/141/142/U	S/M 2920-6017	A	1.125		.124	.730
RG 223/303/400/U	S/M 2920-6017	A	1.125		.124	.730
RG 174/188/316/U	S/M 2923-6017	A	1.125		.069	.700
BULKHEAD MOUNT CLAMP ATTACHMENT						
RG 55/58/141/142/U	S/M 2943-6073†	D	.850	.450	.220	.125
RG 223/303/400/U	S/M 2943-6073†	D	.850	.450	.220	.125
RG 174/188/316/U	S/M 2943-6024†	D	.850	.450	.116	.125
RG 180/195/U	S/M 2941-6001†	D	.850	.450	.160	.125
BULKHEAD MOUNT CRIMP ATTACHMENT						
RG 55/58/141/142/U	S/M 2943-6045	B	1.37	.450	.124	.125
RG 55/58/141/142/U	S/M 2943-6027	B	1.30	.455	.124	.125
RG 55/142/400/U	S/M 2943-6906†	B		.450	.124	.125
RG 174/188/316/U	S/M 2943-6001	B	1.37	.450	.069	.125
RG 174/188/316/U	S/M 2942-6020	B	1.37	.450	.069	.125
RG 178/196/U	S/M 2943-6904†	B		.450	.039	.125
RG 178/196 DBR	S/M 2943-6905†	B		.450	.039	.125
RG 188/316/U	S/M 2943-6903†	B		.450	.069	.125
RG 188/316 DBR	S/M 2943-6901†	B		.450	.069	.125
RG 223/303/400/U	S/M 2920-6045	B	1.37	.450	.124	.125
BULKHEAD MOUNT CRIMP CLAMP ATTACHMENT						
RG 55/142/U	S/M 2943-6040†	C	1.01	1.50	.124	.125
RG 58/141/303/U	S/M 2943-6041†	C	1.01	1.50	.124	.125
RG 174/188/316/U	S/M 2943-6042†	C	1.01	1.50	.069	.125
RG 58/141/303/U	S/M 2943-6041†	C	1.01	1.50	.108	.125
RG 174/188/316/U	S/M 2943-6042†	C	1.01	1.50	.039	.125
RG 180/195/U	S/M 2943-6043†	C	1.01	1.50	.124	.125
RG 178/196/U	S/M 2943-6044†	C	1.01	1.50	.124	.125
RG 223/400/U	S/M 2943-6040†	C	1.01	1.50	.124	.125

† CAPTIVE CONTACT. ADD SUFFIX SF FOR STAINLESS FINISH VERSION

MIL-C-39012/ BULKHEAD CABLE JACK NOT equal to listed commercial parts

Cable Type	Captive Contact Cat A	Loose Contact Cat B Clamp	Captive Contact Cat B Crimp	Captive Contact Cat C Crimp
RG-58/U	/59-3009	/59-3014	/59-3021	/59-3029
RG-122/U	/59-3008	/59-3013	/59-3020	/59-3027
RG-142/U	/59-3009	/59-3015	/59-3022	/59-3028
RG-178/U	/59-3006	/59-3011	/59-3018	/59-3025
RG-174/316/U	/59-3007	/59-3012	/59-3019	/59-3026
RG-223/U	/59-3009	/59-3016	/59-3023	/59-3028
RG-303/U	/59-3010	/59-3017	/59-3024	/59-3029

FIG. D