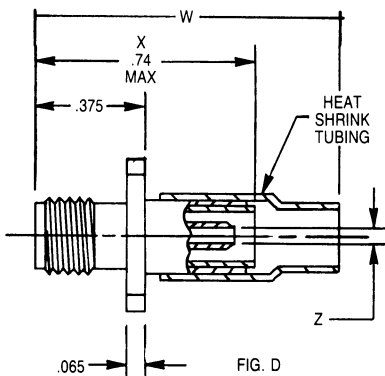
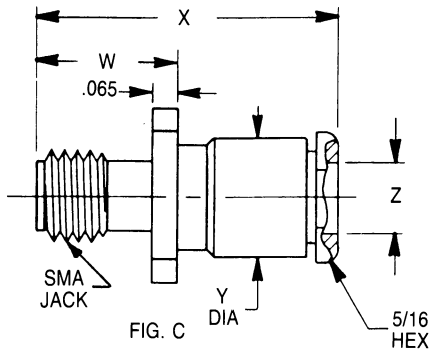
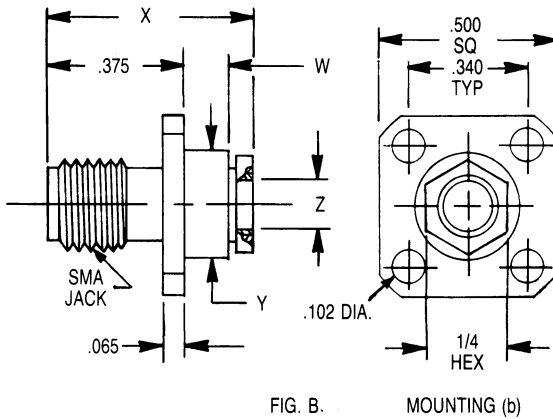
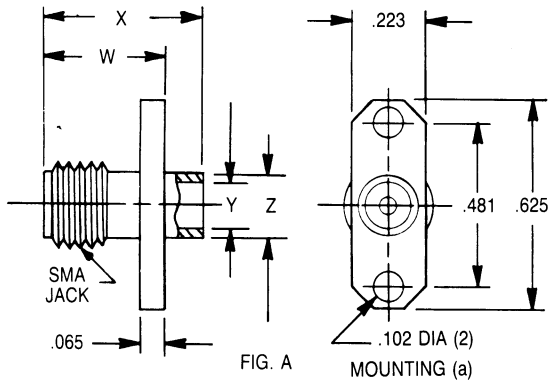


# SMA

## SMA PANEL MOUNT JACKS

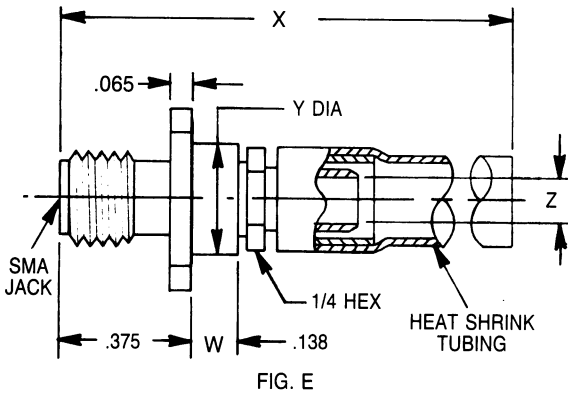


Cable Type	Part Number	Fig.	Dimensions (inches)			
			W	X	Y	Z
<b>2 HOLE PANEL MOUNT DIRECT SOLDER CABLE JACK</b>						
RG 402(.141)	S/M 2932-6021↑	A(a)	.375	.560	.144	.180
RG 402(.141)	S/M 2932-6015	A(a)	.375	.560	.144	.180
RG 405(.085)	S/M 2933-6049↑	A(a)	.375	.500	.090	.120
RG 405(.085)	S/M 2933-6001	A(a)	.375	.500	.090	.120
.070 SemiRigid	S/M 2933-6025	A(a)	.375	.440	.074	.104
.047 SemiRigid	S/M 2933-6022	A(a)	.375	.440	.052	.088
<b>4 HOLE PANEL MOUNT DIRECT SOLDER CABLE JACK</b>						
RG 402(.141)	S/M 2932-6053↑	A(b)	.375	.560	.144	.180
RG 402(.141)	S/M 2932-6001	A(b)	.375	.560	.144	.180
RG 405(.085)	S/M 2933-6041↑	A(b)	.375	.500	.090	.120
RG 405(.085)	S/M 2933-6004	A(b)	.375	.500	.090	.120
.070 SemiRigid	S/M 2933-6046	A(b)	.375	.440	.074	.104
.047 SemiRigid	S/M 2933-6028	A(b)	.375	.440	.052	.088
<b>4 HOLE FLANGE MOUNT DIRECT CLAMP ATTACHMENT</b>						
RG 55/58/141/142/U	S/M 2930-6011	C(b)	.375	.700	.312	.220
RG 223/303/400/U	S/M 2930-6011	C(b)	.375	.700	.312	.220
RG 174/188/316/U	S/M 2931-6043	C(b)	.375	.700	.312	.116
RG 180/195/U	S/M 2932-6050	C(b)	.375	.700	.312	.160
<b>4 HOLE FLANGE MOUNT DIRECT CRIMP</b>						
RG 178/196/U	S/M 2931-6904↑	D(b)	.74			.039
RG 178/196/U DBRD	S/M 2931-6905↑	D(b)	.74			.039
RG 188/316/U	S/M 2931-6903↑	D(b)	.74			.069
RG 55/142/U DBRD	S/M 2931-6906↑	D(b)	.74			.124
RG 188/316/U DBRD	S/M 2931-6901↑	D(b)	.74			.069
RG 223/400/U DBRD	S/M 2931-6906↑	D(b)	.74			.124
<b>4 HOLE FLANGE MOUNT SOLDER CLAMP ATTACHMENT</b>						
RG 402(.141)	S/M 2932-6049↑	B(b)	.138	.575	.300	.144
RG 402(.141)	S/M 2932-6003	B(b)	.138	.575	.300	.142
RG 405(.085)	S/M 2933-6005↑	B(b)	.138	.575	.300	.090

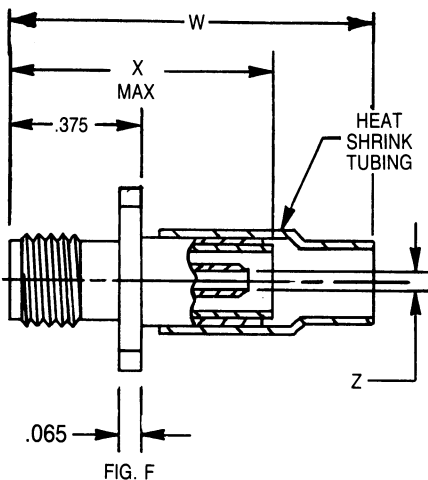
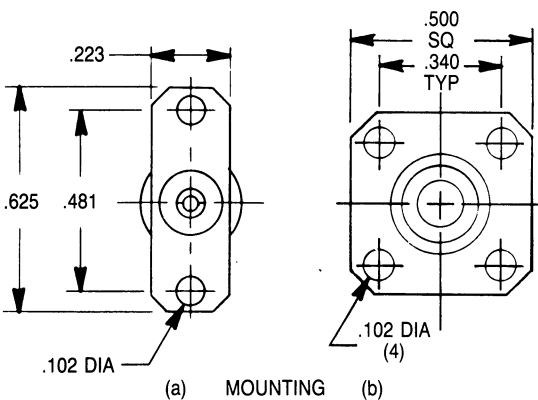
↑ Captive Contact.

ADD SUFFIX SF TO PART NUMBER FOR STAINLESS FINISH VERSION

## SMA PANEL MOUNT JACKS (Con't)



Cable Type	Part Number	Fig.	Dimensions (inches)			
			W	X	Y	Z
<b>4 HOLE FLANGE MOUNT CRIMP CLAMP CAPTIVE CONTACT</b>						
RG 55/142	S/M 2930-6001	E(b)	.138	1.43	.300	.124
RG 58/141/U	S/M 2930-6004	E(b)	.138	1.43	.300	.124
RG 174/188/U	S/M 2930-6002	E(b)	.138	1.43	.300	.069
RG 178/196/U	S/M 2930-6005	E(b)	.138	1.43	.300	.039
RG 180/195/U	S/M 2930-6003	E(b)	.138	1.43	.300	.108
RG 223/400/U	S/M 2930-6001	E(b)	.138	1.43	.300	.124
RG 303/U	S/M 2930-6004	E(b)	.138	1.43	.300	.124
RG 316/U	S/M 2930-6002	E(b)	.138	1.43	.300	.069



MIL-C-39012/ NOT equal to listed commercial parts

<b>4 HOLE PANEL MOUNT CATEGORY A CLAMP (Captive Contact) †</b>						
RG-58/142/U	/58-3009	C	.415	.960		
RG-122/U	/58-3008	C	.415	.960		
RG-178/U	/58-3006	C	.415	.960		
RG-174/316/U	/59-3007	C	.415	.960		
CRG-223/U	/58-3009	C	.415	.960		
RG-303/U	/58-3010	C	.415	.960		
<b>4 HOLE PANEL MOUNT CATEGORY B CRIMP (Loose Contact) †</b>						
RG-58/U	/58-3014	F	.415	1.27		
RG-122/U	/58-3013	F	.415	1.27		
RG-142/U	/58-3015	F	.415	1.27		
RG-178/U	/58-3011	F	.415	1.27		
RG-174/316/U	/58-3012	F	.415	1.27		
RG-223/U	/58-3016	F	.415	1.27		
RG-303/U	/58-3017	F	.415	1.27		
<b>4 HOLE PANEL MOUNT CATEGORY B CRIMP (Captive Contact) †</b>						
RG-58/U	/58-3021	F	.415	1.27		
RG-122/U	/58-3020	F	.415	1.27		
RG-142/U	/58-3022	F	.415	1.27		
RG-178/U	/58-3018	F	.415	1.27		
RG-174/316/U	/58-3019	F	.415	1.27		
RG-223/U	/58-3023	F	.415	1.27		
RG-303/U	/58-3024	F	.415	1.27		
<b>4 HOLE PANEL MOUNT CATEGORY C CRIMP (Captive Contact) †</b>						
RG-58/U	/58-3029	E	.415	1.13		
RG-122/U	/58-3027	E	.415	1.13		
RG-142/223/U	/58-3028	E	.415	1.13		
RG-178/U	/58-3025	E	.415	1.13		
RG-174/316/U	/58-3026	E	.415	1.13		
RG-303/U	/58-3029	E	.415	1.13		

† MIL-C-39012 specifies only method of attachment and maximum length. Parts ordered to MIL may be direct attachment, clamp or crimp or crimp-clamp at manufacturers option. Dimensions listed are the maximum allowed. Actual parts may be shorter depending on manufacturer.

-30xx is Strls Stl Pas Nut/Gold Pltd body w/safety Wire Holes  
 -40xx is Beryllium Copper with safety Wire Holes