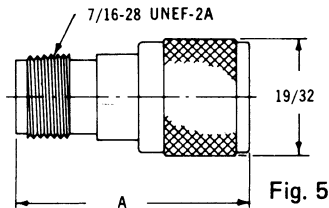
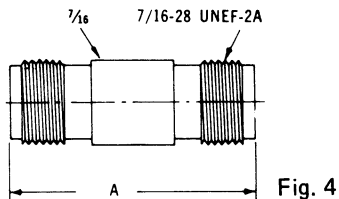
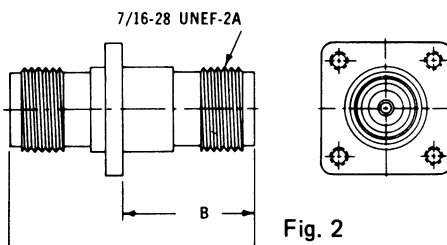
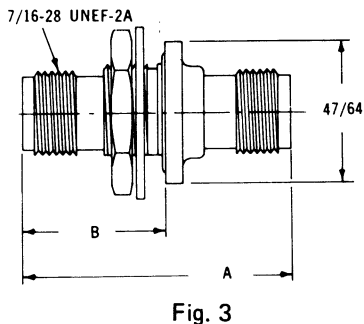
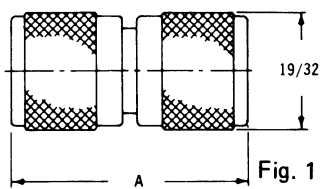


TNC SERIES 12

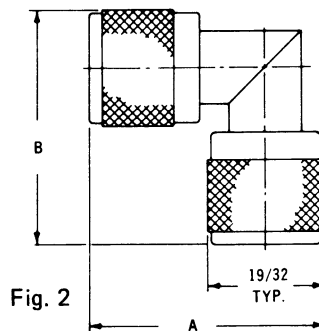
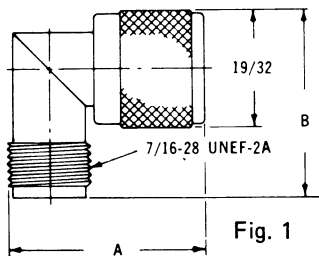
STRAIGHT ADAPTERS



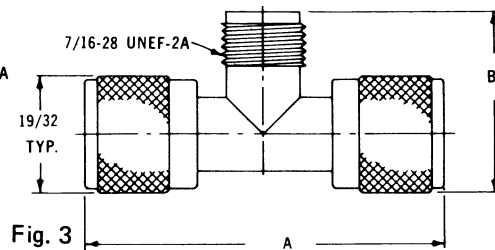
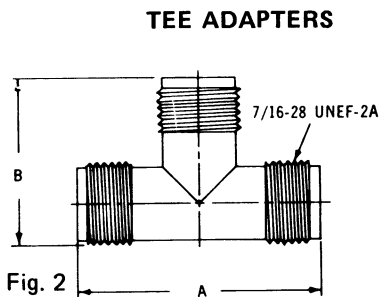
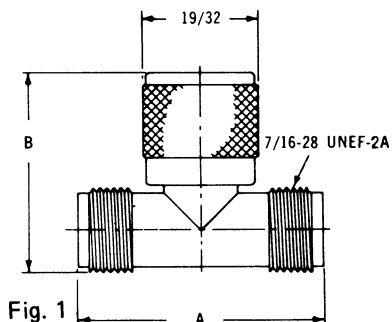
| DELTA PART NO. | FIG. | DIELECTRIC | MAX. PANEL | MTG. FIG. | DIMENSIONS | | TYPE | REMARKS |
|----------------|------|------------|------------|-----------|------------|-------|------|---------------------|
| | | | | | A | B | | |
| 1225-000-A070 | 2 | Teflon | — | 07 | 1-9/32 | 11/16 | F-F | Hermetically Sealed |
| 1227-000-A000 | 1 | Teflon | — | — | 1-1/4 | — | M-M | |
| 1226-000-A598 | 3 | Teflon | 1/8 | 59 | 1-3/8 | 47/64 | F-F | |
| 1228-000-A000 | 4 | Teflon | — | — | 1-9/32 | — | F-F | |
| 1234-000-A000 | 5 | Teflon | — | — | 1-7/32 | — | M-F | |

SEE LAST PAGE FOR MOUNTING DIMENSIONS.

RIGHT ANGLE ADAPTERS



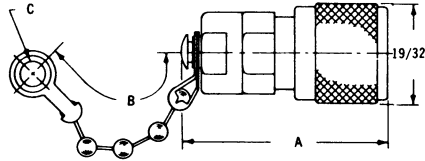
| DELTA PART NO. | FIG. | DIELECTRIC | DIMENSIONS | | TYPE | REMARKS |
|----------------|------|------------|------------|-------|------|---------|
| | | | A | B | | |
| 1229-000-A000 | 1 | Teflon | 1-1/32 | 61/64 | M-F | |
| 1241-000-A000 | 2 | Teflon | 1-1/4 | 1-1/4 | M-M | |



| DELTA PART NO. | FIG. | DIELECTRIC | DIMENSIONS | | TYPE |
|----------------|------|------------|------------|--------|-------|
| | | | A | B | |
| 1230-000-A000 | 1 | Teflon | 1-9/32 | 1-1/32 | F-M-F |
| 1238-000-A000 | 2 | Teflon | 1-9/32 | 7/8 | F-F-F |
| 1242-000-A000 | 3 | Teflon | 1-7/8 | 61/64 | M-F-M |

TNC SERIES 12

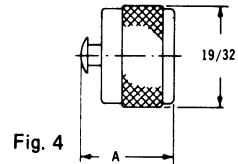
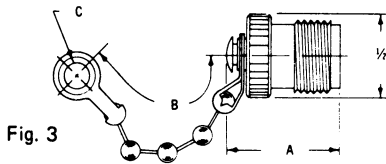
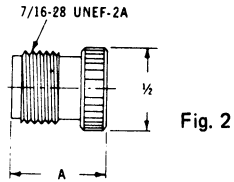
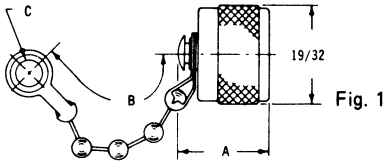
RESISTIVE TERMINATIONS



| DELTA PART NO. | DIELECTRIC | DIMENSIONS | | | REMARKS |
|----------------|------------|------------|-------|------|---|
| | | A | B | C | |
| 1231-000-A000* | Teflon | 1-1/4 | 3-1/2 | .144 | 1/2 Watt, ±5% Resistor 1/2 Watt, ±5% Resistor, No Chain |
| 1231-000-A00A* | Teflon | 1-1/4 | — | — | |
| 1251-000-A00A* | Teflon | 1-13/32 | — | — | 1 Watt, ±5% Resistor, No Chain |
| 1252-000-A000* | Teflon | 1-1/2 | 3-3/4 | 144 | 2 Watt, ±5% Resistor |

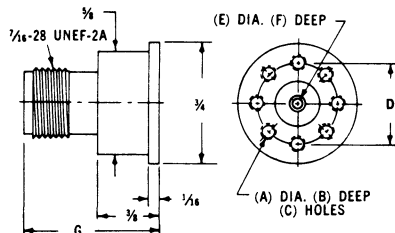
* If not specified, a 51 ohm resistor will be supplied.

DUST CAPS



| DELTA PART NO. | FIG. | DIMENSIONS | | | REMARKS |
|----------------|------|------------|-------|------|---|
| | | A | B | C | |
| 1232-000-A000 | 1 | 17/32 | 2-1/4 | .144 | Shorting Type Shorting Type Without Chain |
| 1233-000-A00C | 3 | 11/16 | 2-1/2 | .144 | |
| 1232-000-A00C | 1 | 11/16 | 2-1/4 | .144 | |
| 1233-000-A00A | 2 | 37/64 | — | — | Without Chain |
| 1233-000-A000 | 3 | 37/64 | 3-1/2 | .144 | |
| 1232-000-A00A | 4 | 17/32 | — | — | |

STRIP-TRANSMISSION LINE ADAPTERS



OTHER CONFIGURATIONS
AVAILABLE UPON
REQUEST.

| DELTA PART NO. | DIELECTRIC | DIMENSIONS | | | | | | |
|-----------------|------------|------------|------|---|------|------|------|-------|
| | | A | B | C | D | E | F | G |
| 1256-000-A000-2 | Teflon | .078 | 5/16 | 8 | .500 | .063 | 7/32 | 53/64 |
| 1256-000-A000-3 | Teflon | #2-56 | 1/4 | 8 | .500 | .063 | 7/32 | 53/64 |