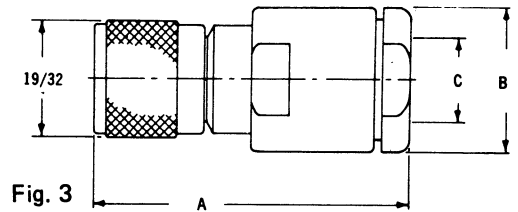
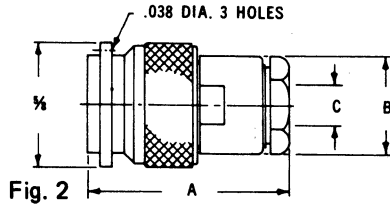
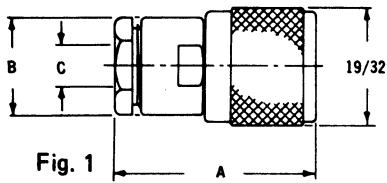
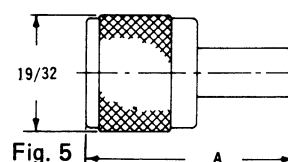
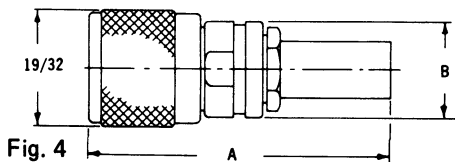


PLUGS



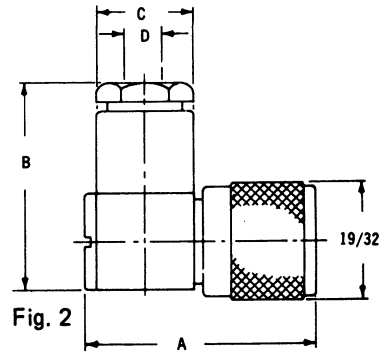
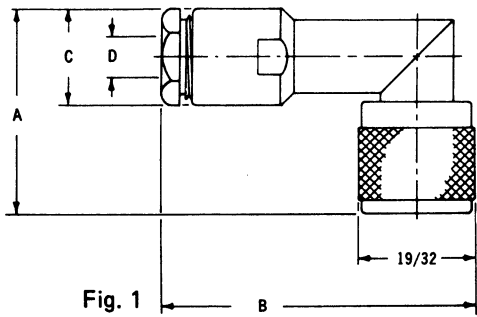
DELTA PART NO.	FIG.	DIELECTRIC	USED WITH CABLE RG-/U	DIMENSIONS			REMARKS
				A	B	C	
1201-015-A000	1	Teflon	55B, 58C, 141A, 142B, 223	1-1/16	1/2	.224	
1240-015-A000	2	Teflon	55B, 58C, 141A, 142B, 223	1-1/16	1/2	.224	Improved Coupling Nut
1201-015-A001	1	Teflon	55B, 58C, 141A, 142B, 223	1-1/16	1/2	.224	Captive Contact
1240-015-A001	2	Teflon	55B, 58C, 141A, 142B, 223	1-1/16	1/2	.224	Improved Coupling Nut Captive Contact
1201-021-A000	1	Teflon	59B, 62A, 71B, 140, 210	1-1/16	1/2	.258	
1240-021-A000	2	Teflon	59B, 62A, 71B, 140, 210	1-1/16	1/2	.258	Improved Coupling Nut
1201-021-A001	1	Teflon	59B, 62A, 71B, 140, 210	1-1/16	1/2	.258	Captive Contact
1240-021-A001	2	Teflon	59B, 62A, 71B, 140, 210	1-1/16	1/2	.258	Improved Coupling Nut Captive Contact
1201-004-A000	3	Teflon	8A, 9B, 87A, 213, 214, 225	1-5/8	3/4	.442	
1201-029-A000	1	Teflon	122	1-1/16	1/2	.177	
1201-001-A000	3	Teflon	5B, 21A, 143A, 212, 222	1-5/8	3/4	.345	
1201-031-A003	1	Teflon	.141 DIA., Semi-Rigid	1-1/16	1/2	.144	Solder Assembly
1201-036-A000	1	Teflon	174, 188A	1-1/16	1/2	.120	
1201-004-A001	3	Teflon	8A, 9B, 87A, 213, 214, 225	1-5/8	3/4	.442	Captive Contact
1201-038-A000	1	Teflon	178B, 196A	1-1/16	1/2	.084	
1201-043-A000	1	Teflon	180B, 195A	1-1/16	1/2	.160	
1201-018-A000	1	Teflon	58C, 142B	1-1/16	1/2	.209	
1240-018-A000	2	Teflon	58C, 142B	1-1/16	1/2	.209	Improved Coupling Nut
1201-018-A001	1	Teflon	58C, 142B	1-1/16	1/2	.209	Captive Contact
1240-018-A001	2	Teflon	58C, 142B	1-1/16	1/2	.209	Improved Coupling Nut Captive Contact
1201-043-A001	1	Teflon	180B, 195A	1-1/16	1/2	.160	Captive Contact
1201-035-A000	1	Teflon	161	1-1/16	1/2	.094	
1201-032-A000	1	Teflon	141A	1-1/16	1/2	.198	
1201-031-A007	1	Teflon	.141 DIA., Semi-Rigid	1-1/16	1/2	.144	Solder Assembly Captive Contact
1201-029-A001	1	Teflon	122	1-1/16	1/2	.177	
1201-025-A003	1	Teflon	.087 DIA., Semi-Rigid	1-1/16	1/2	.090	Solder Assembly
1201-049-A000	3	Teflon	225	1-5/8	3/4	.453	
1201-036-A001	1	Teflon	174, 188A	1-1/16	1/2	.120	Captive Contact
1201-032-A001	1	Teflon	141A	1-1/16	1/2	.198	Captive Contact
1201-038-A001	1	Teflon	178B, 196A	1-1/16	1/2	.084	Captive Contact
1201-027-A001	3	Teflon	115A	1-5/8	3/4	.442	Captive Contact



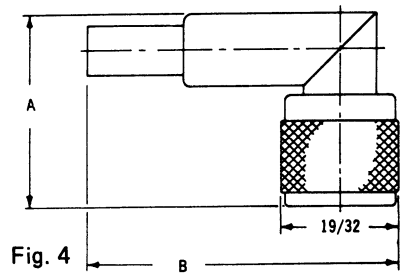
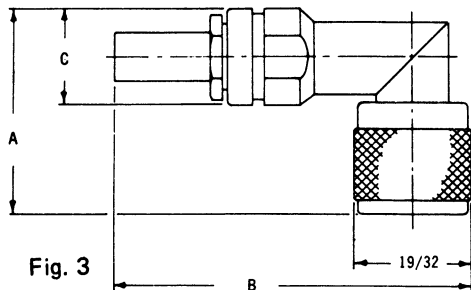
DELTA PART NO.	FIG.	DIELECTRIC	USED WITH CABLE RG-/U	DIMENSIONS		REMARKS
				A	B	
1202-023-A000	4	Teflon	71B	1-1/2	1/2	Long Crimp
1203-013-A000	5	Teflon	55B, 142B, 223	1-1/16	-	Short Crimp
1202-013-A000	4	Teflon	55B, 142B, 223	1-1/2	1/2	Long Crimp
1203-017-A000	5	Teflon	58C, 141A	1-1/16	-	Short Crimp
1203-020-A000	5	Teflon	59B,	1-1/16	-	Short Crimp
1203-047-A000	5	Teflon	195A	1-1/16	-	Short Crimp
1202-052-A000	4	Teflon	304	1-1/2	1/2	Long Crimp
1202-017-A000	4	Teflon	58C, 141A	1-1/2	1/2	Long Crimp

## TNC SERIES 12

### RIGHT ANGLE PLUGS



DELTA PART NO.	FIG.	DIELECTRIC	USED WITH CABLE RG-/U	DIMENSIONS				REMARKS
				A	B	C	D	
1204-015-A000	1	Teflon	55B, 58C, 141A, 142B, 223	1-1/16	1-5/8	1/2	.224	
1204-015-A001	1	Teflon	55B, 58C, 141A, 142B, 223	1-1/16	1-5/8	1/2	.224	Captive Contact
1204-021-A001	1	Teflon	59B, 62A, 71B, 140, 210	1-1/16	1-5/8	1/2	.258	Captive Contact
1205-021-A000	2	Teflon	59B, 62A, 71B, 140, 210	1-13/64	1-7/64	1/2	.258	Cube Body
1205-015-A000	2	Teflon	55B, 58C, 141A, 142B, 223	1-13/64	1-7/64	1/2	.224	Cube Body
1205-029-A000	2	Teflon	122	1-13/64	1-7/64	1/2	.177	Cube Body
1204-043-A001	1	Teflon	180B, 195A	1-1/16	1-5/8	1/2	.160	Captive Contact
1204-043-A000	1	Teflon	180B, 195A	1-1/16	1-5/8	1/2	.160	
1204-004-A001	1	Teflon	8A, 9B, 87A, 213, 214, 225	1-3/16	1-15/16	3/4	.442	Captive Contact
1204-018-A000	1	Teflon	58C, 142B	1-1/16	1-5/8	1/2	.209	
1204-031-A003	1	Teflon	.141 DIA., Semi-Rigid	1-1/16	1-5/8	1/2	.144	Solder Assembly
1204-021-A000	1	Teflon	59B, 62A, 71B, 140, 210	1-1/16	1-5/8	1/2	.258	
1204-001-A000	1	Teflon	5B, 21A, 143A, 212, 222	1-3/16	1-15/16	3/4	.345	
1204-004-A000	1	Teflon	8A, 9B, 87A, 213, 214, 225	1-3/16	1-15/16	3/4	.442	
1204-031-A007	1	Teflon	.141 DIA., Semi-Rigid	1-1/16	1-5/8	1/2	.144	Solder Assembly
1205-018-A000	2	Teflon	58C, 142B	1-13/64	1-7/64	1/2	.209	Cube Body
1204-036-A000	1	Teflon	174, 188A	1-1/16	1-5/8	1/2	.120	
1204-038-A000	1	Teflon	178B, 196A	1-1/16	1-5/8	1/2	.084	
1204-032-A001	1	Teflon	141A	1-1/16	1-5/8	1/2	.198	Captive Contact
1204-027-A001	1	Teflon	115A	1-3/16	1-15/16	3/4	.442	Captive Contact
1204-036-A001	1	Teflon	174, 188A	1-1/16	1-5/8	1/2	.120	Captive Contact
1204-018-A001	1	Teflon	58C, 142B	1-1/16	1-5/8	1/2	.209	Captive Contact



DELTA PART NO.	FIG.	DIELECTRIC	USED WITH CABLE RG-/U	DIMENSIONS			REMARKS
				A	B	C	
1207-020-A000	4	Teflon	59B,	1-1/32	1-9/16	—	Short Crimp
1207-013-A000	4	Teflon	55B, 142B, 223	1-1/32	1-9/16	—	Short Crimp
1206-017-A000	3	Teflon	58C, 141A	1-1/16	1-27/32	1/2	Long Crimp
1206-013-A000	3	Teflon	55B, 142B, 223	1-1/16	1-27/32	1/2	Long Crimp
1206-020-A000	3	Teflon	59B,	1-1/16	1-27/32	1/2	Long Crimp
1207-017-A000	4	Teflon	58C, 141A	1-1/32	1-9/16	—	Short Crimp